

New
IRIDEX TruFocus LIO Premiere™



Features

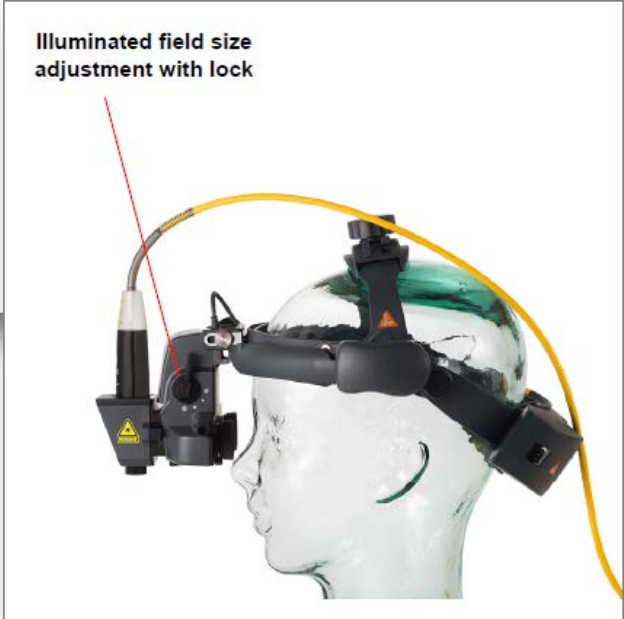
LED Light Source (Optional Halogen light source is available)

- LED illumination offers virtually unlimited working life (up to 20,000 hours)
- LED illumination color closely matches that of halogen light while remaining cool to the touch
- Illumination adjustments can be mounted on either side of the LIO headband

Headband-Mounted Rechargeable Battery

- The battery-operated illumination light source eliminates the need for an illumination cable connection to the laser console.



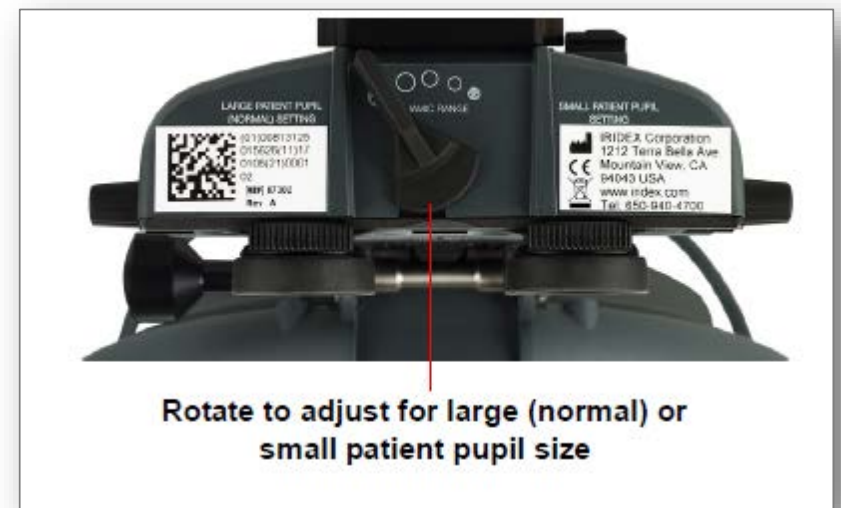


Features

Cover for LED or Halogen Bulb



Adjusting for Patient's Pupil Size



Features

Pupillary Adjust



1. Slide the oculars symmetrically to adjust the pupillary distance.
2. Each eyecup can be slightly rotated independently of one another. This allows for fine tuning of the focus through the oculars.

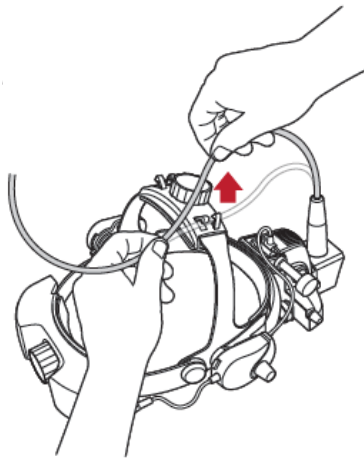
Fiber Optic Care: Important Reminders

1. Never kink or sharply bend the fiber optic.



2. Packing the LIO in its Carry Case

Packing instructions are included with the LIO. Here are a few important reminders:



Before tilting the optical unit upward:

A. First, remove the fiber optic from the cable guides.



B. Second, loosen the knob (turn counter-clockwise), fully extend, and then tilt the optical unit upward. Tighten the knob (turn clockwise) to secure.



The illumination cable will kink if the optical unit is not fully extended.

Part Numbers: LIO Models

OLD Part Numbers	NEW Part Numbers	Laser Compatibility	Spot Size	Fiber Connector
30903-H500 (Dual Wavelength)	87300	OcuLight® GL, GLx, TX, IQ 532, SL, SLx/DioVet, IQ 810™	350 µm	Resistive
13152-H500	87301	OcuLight SL, SLx/DioVet, IQ 810	350 µm	Resistive
13153-H500 (Large-Spot)	87302	OcuLight SLx/DioVet, IQ 810	1400 µm	Resistive
65900-H500	87303	IQ 532™	350 µm	RFID
65515-H500	87304	IQ 577™	350 µm	RFID

Pricing for LIOs Include:

- Carry case (87284)
- Headband-mounted rechargeable battery (87287)



- Plug-in Transformer (87286)



Part Numbers: Accessories

Part Number	Description
87287	Headband-mounted rechargeable battery
87285	Wall-mounted charging cradle
87286	Plug-in transformer
87296	Extension cord for plug-in transformer
87391	LED bulb
87397	Halogen bulb
87305	Operator Manual
87284	Standard Carry Case



Headband-mounted battery pack
PN 87287



Plug-in transformer
PN 87286



Wall-mounted charging cradle
PN 87285



Extension Cord
PN 87296

Shipment Configuration

The LIO is shipped in a carry case with the following items:

- An IFU on how to pack the LIO in the carry case for storage
- 0-diopter lenses
- Cleaning cloth
- Clip
- Heine manual



LIO Carry Case.
LIO is shipped in the case

These items ship in separate Heine boxes



Headband-mounted
battery pack



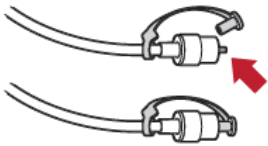
Plug-in transformer

LIO Packing Instructions *1 of 2*

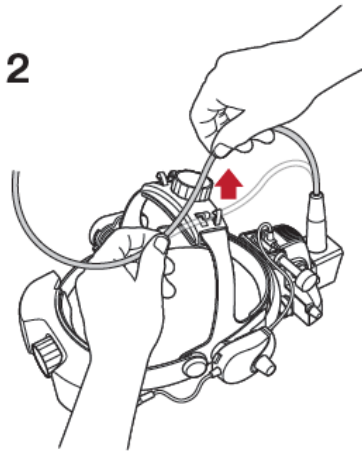
IRIDEX LIO TruFocus Premiere™ Carrying Case Packing Instructions for Storage



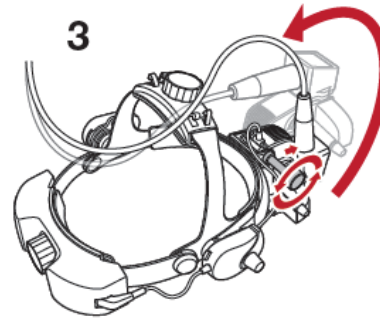
1



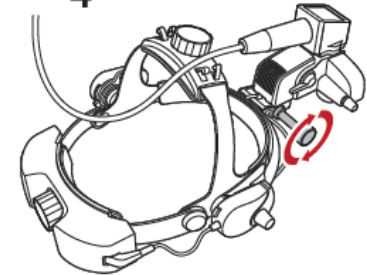
2



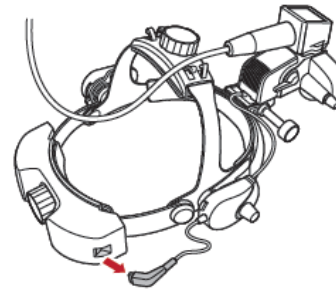
3



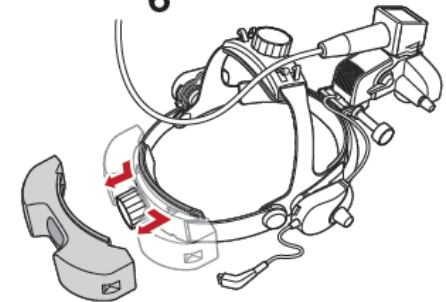
4



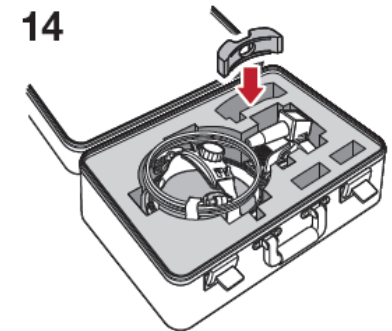
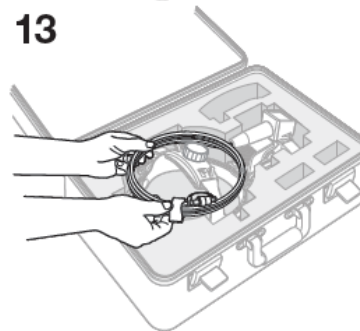
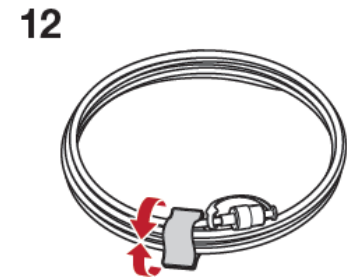
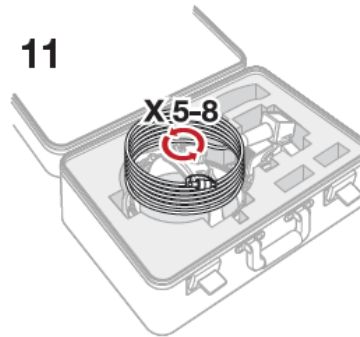
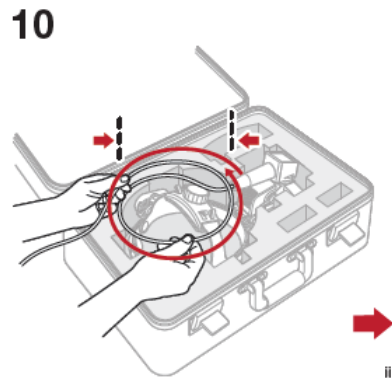
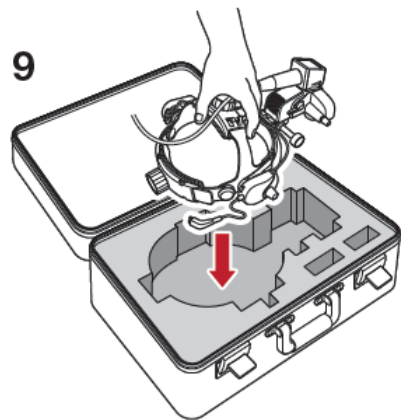
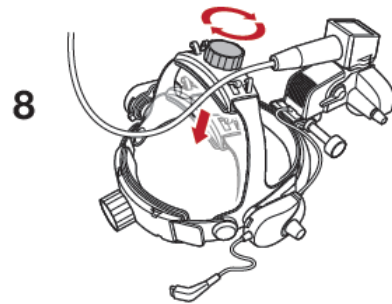
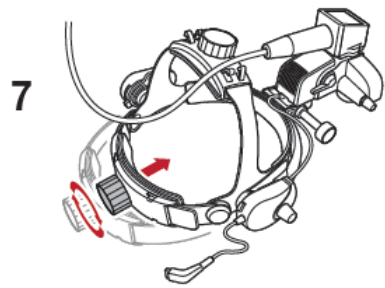
5



6



LIO Packing Instructions 2 of 2



IRIDEX • 1212 Terra Bella Ave • Mountain View, CA 94043 • 800.388.4747 (U.S.A. Inquiries)
info@iridex.com (U.S.A. and international inquiries) • www.iridex.com
©2017 IRIDEX Corporation. All rights reserved. LT0642 6/2017 PN 87398 Rev 8



LIO Data Sheet



TruFocus LIO Premiere™ with LED illumination

Superior Treatment Flexibility, Consistency, and Reliability

- TruFocus optical system for great working distance and diagnostic capabilities
- Independent positioning of the laser within illumination field for efficient peripheral treatments
- LED illumination offers virtually unlimited working life (up to 20,000 hours)
- Illumination adjustment mounts on either side of LIO headband
- Headband-mounted rechargeable battery eliminates the need for an electrical cable connection to the laser console
- Ergonomic system for increased comfort
- Dual wavelength capabilities
- Large Spot (LS) LIO version available
- LS LIO can represent a more efficient treatment modality than standard laser indirect, an important consideration when treating patients such as retinopathy of prematurity infants¹

Learn more at iridex.com



TruFocus LIO Premiere™

Specifications

Product Number	Description	Laser Compatibility*	Spot Size**	Connector
87300	TruFocus LIO Premiere, 532/810	OcuLight® GL, TX, SL, SLx, IQ 532™	350 µm	Resistive
87301	TruFocus LIO Premiere, 810	OcuLight SL, SLx, DioVet	350 µm	Resistive
87302 (Large Spot)	TruFocus LIO Premiere, 810 LS	OcuLight SL, SLx	1400 µm	Resistive
87303	TruFocus LIO Premiere, 532	IQ 532	350 µm	RFID
87304	TruFocus LIO Premiere, 577	IQ 577™	350 µm	RFID

Accessories

Each LIO package includes a carry case (PN 87284), headband-mounted rechargeable battery (PN 87287) and a plug-in transformer (PN 87286). These are also available for individual purchase.

Product Number

Description

87287	Headband-mounted rechargeable battery (mPACK UNPLUGGED)
87285***	Wall-mounted charging cradle (EN50 UNPLUGGED Wall Unit)
87286	Plug-in transformer (Transformer for mPACK UNPLUGGED)
87206***	Extension cord for plug-in transformer
87284	Standard Carry Case



Headband-mounted rechargeable battery



Wall-mounted charging cradle



Plug-in transformer



Extension cord

*Compatible with IRIDEX legacy lasers. Contact IRIDEX customer service or your local representative for more information.
 **On retina using a 20D lens
 ***Not included in the standard LIO Premiere package, but may be purchased as an add-on accessory.
 MicroPulse® Compatible Lasers: IQ 577, IQ 532, and OcuLight SLx (MicroPulse not available on SLx for LIO)

1: Shah P, Narandran V, Kalpana N. Large spot transpupillary thermotherapy: A quicker laser for treatment of high risk prethreshold retinopathy of prematurity - a randomized study. *Indian J Ophthalmol* 2011;59(2):165-8.

Specifications are subject to change without notice. OcuLight, IRIDEX, the IRIDEX logo and MicroPulse are registered trademarks and IQ 810, IQ 577, IQ 532 and TruFocus are trademarks of IRIDEX Corporation.

Products are covered by one or more of the following U.S. patents: 5,611,095; 5,882,789; 6,227,291; 6,540,291; 6,733,490; 7,796,904; 7,771,417; 7,906,816; 5,887,498; 6,073,759; 6,082,898; 6,217,594; 6,484,314; 6,585,679; 6,725,668; 6,900,076; 6,916,142; 7,537,593; 8,177,777; 7,837,833; 5,853,049; 6, KR 948012; 0904615; 6970641.3; CA 2331837; AU 759193; JP 4149670; EP 1009694; CA 2289502; JP 449444; JP 4570696; JP 4819764; JP 5123973; JP 5133069.

Other U.S. and International patents pending. Clinical references available upon request.

CE REP Emergo Europa
 Pritsvoogracht 20, 2614 AP, The Hague, The Netherlands



IRIDEX • 1212 Terra Bella Avenue • Mountain View, CA 94043 • 800.388.4747 (U.S. Inquiries) • info@iridex.com (U.S. & Int'l Inquiries) • iridex.com
 ©2017 IRIDEX. All rights reserved. L10011 6/2017

